

# GLASS HOLDERS

## SUPPORTI PER VETRO IAMdesign IAMdesign GLASS HOLDERS

La linea di pinze per vetro IAM Design offre un'ampia gamma di prodotti in diverse forme e dimensioni così da permettere all'utilizzatore di impiegarle per più progetti e applicazioni.

Sono disponibili oltre che in AISI316, in AISI304, zamac e, su richiesta, con finitura lucida.

Sono fornite con GOMMINI SEPARATI in modo da poterli abbinare al modello di pinza in maniera corretta per lo spessore del vetro che si vuole utilizzare.

Trattandosi di un sistema modulare consente di combinare diverse caratteristiche così da ottenere il prodotto più adatto per ciascun progetto.

Il sistema di codifica "parlante" degli articoli riflette questa modularità e rende molto facile l'identificazione delle diverse caratteristiche della pinza.

IAM Design line of glass clamps offers a large range of products in different sizes and shapes, allowing the user to serve different designs and purposes.

They are available in different materials: AISI316, AISI304,

Zamac and, on request, in mirror polish.

They are provided with SEPARATE RUBBERS so to match the glass clamp model with the correct rubber for that specific glass thickness.

Being a modular system it allows you to combine different features in order to obtain the most suitable product for each project.

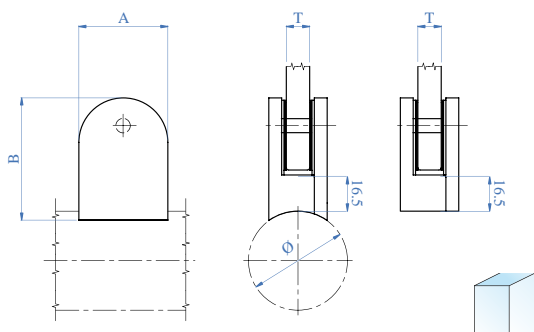
The articles' coding system reflects this modularity and makes it easy to identify the glass clamp's different features .

NUOVE  
CARATTERISTICHE  
NEW  
FEATURES



E 1 10 042 06

Finitura Finishing	Materiale Material	Modello Model	Superficie di ancoraggio Anchor surface	Spessore vetro Glass Thickness
<b>E</b> Satinato Satin Finish	<b>1</b> AISI 304	<b>10</b> 40 x 50 x 24 mm - 1 9/16" x 2" x 15/16" Tondo - Round	<b>000</b> Superficie piana Flat Surface	<b>06</b> 6 mm 1/4"
<b>X</b> lucidato a specchio Mirror Polished	<b>2</b> AISI 316	<b>11</b> 45 x 45 x 28 mm - 1 3/4" x 1 3/4" x 1 3/32" Quadrato - Square	<b>033</b> Ø 33,7 mm 1 1/3"	<b>07</b> 6,76 mm 1/4"
<b>Z</b> zincato Galvanized	<b>3</b> Zamac/Alluminio Zamac/Aluminium	<b>12</b> 45 x 63 x 28 mm - 1 3/4" x 2 31/64" x 1 3/32"	<b>042</b> Ø 42,4 mm 1 2/3"	<b>08</b> 8 mm 5/16"
<b>J</b> Grezzo Raw	<b>4</b> Ferro Iron	<b>13</b> 70 x 44 x 40 mm - 2 3/4" x 1 3/4" x 1 9/16" Quadrato - Square fermo laterale - fermo laterale	<b>048</b> Ø 48,3 mm 1 7/8"	<b>09</b> 8,76 mm 11/32"
		<b>14</b> 45 x 63 x 30 mm - 1 3/4" x 2 31/64" x 1 3/16" Tondo - Round	<b>050</b> Ø 50,8 mm 2"	<b>10</b> 10 mm 3/8"
		<b>15</b> 55 x 55 x 35 mm - 2 11/64" x 2 11/64" x 1 9/16" Quadrato - Square fermo laterale - fermo laterale		<b>11</b> 10 mm 7/16"
		<b>16</b> 40 x 50 x 28 mm - 1 9/16" x 2" x 1 3/32" Tondo - Round		<b>44</b> 9,52 mm 3/8"
				<b>12</b> 12 mm 1/2"
				<b>13</b> 12,76 mm 1/2"
				<b>15</b> 15 mm 19/32"
				<b>17</b> 16,76 mm 5/8"
				<b>18</b> 17,52 mm 2/3"



 **Vetro monolitico**  
Monolithic glass

**NUOVE  
CARATTERISTICHE  
NEW  
FEATURES**



AISI304					A x B	Ø	T
E	1	10	000	06	40 x 50 x 24 mm 1 9/16" x 2" x 15/16"	Superficie piana Flat surface	6 mm 1/4"
E	1	10	000	08	40 x 50 x 24 mm 1 9/16" x 2" x 15/16"	Superficie piana Flat surface	8 mm 5/16"
E	1	10	033	06	40 x 50 x 24 mm 1 9/16" x 2" x 15/16"	33,7 mm 1 1/3"	6 mm 1/4"
E	1	10	033	08	40 x 50 x 24 mm 1 9/16" x 2" x 15/16"	33,7 mm 1 1/3"	8 mm 5/16"
E	1	10	042	06	40 x 50 x 24 mm 1 9/16" x 2" x 15/16"	42,4 mm 1 2/3"	6 mm 1/4"
E	1	10	042	08	40 x 50 x 24 mm 1 9/16" x 2" x 15/16"	42,4 mm 1 2/3"	8 mm 5/16"

AISI316					A x B	Ø	T
E	2	10	000	06	40 x 50 x 24 mm 1 9/16" x 2" x 15/16"	Superficie piana Flat surface	6 mm 1/4"
E	2	10	000	08	40 x 50 x 24 mm 1 9/16" x 2" x 15/16"	Superficie piana Flat surface	8 mm 5/16"
E	2	10	033	06	40 x 50 x 24 mm 1 9/16" x 2" x 15/16"	33,7 mm 1 1/3"	6 mm 1/4"
E	2	10	033	08	40 x 50 x 24 mm 1 9/16" x 2" x 15/16"	33,7 mm 1 1/3"	8 mm 5/16"
E	2	10	042	06	40 x 50 x 24 mm 1 9/16" x 2" x 15/16"	42,4 mm 1 2/3"	6 mm 1/4"
E	2	10	042	08	40 x 50 x 24 mm 1 9/16" x 2" x 15/16"	42,4 mm 1 2/3"	8 mm 5/16"

 **Vetro laminato**  
Laminated glass

AISI304					A x B	Ø	T
E	1	10	000	07	40 x 50 x 24 mm 1 9/16" x 2" x 15/16"	Superficie piana Flat surface	6,76 mm (3+0,76+3)
E	1	10	033	07	40 x 50 x 24 mm 1 9/16" x 2" x 15/16"	33,7 mm 1 1/3"	6,76 mm (3+0,76+3)
E	1	10	042	07	40 x 50 x 24 mm 1 9/16" x 2" x 15/16"	42,4 mm 1 2/3"	6,76 mm (3+0,76+3)

AISI316					A x B	Ø	T
E	2	10	000	07	40 x 50 x 24 mm 1 9/16" x 2" x 15/16"	Superficie piana Flat surface	6,76 mm (3+0,76+3)
E	2	10	033	07	40 x 50 x 24 mm 1 9/16" x 2" x 15/16"	33,7 mm 1 1/3"	6,76 mm (3+0,76+3)
E	2	10	042	07	40 x 50 x 24 mm 1 9/16" x 2" x 15/16"	42,4 mm 1 2/3"	6,76 mm (3+0,76+3)

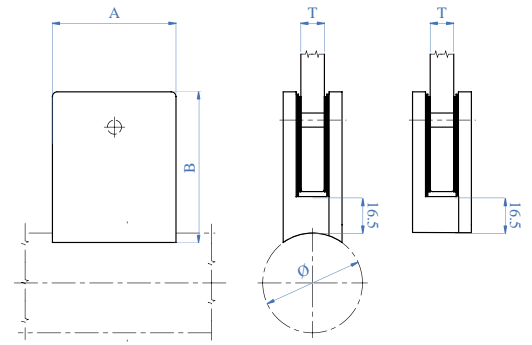






**NUOVE  
CARATTERISTICHE  
NEW  
FEATURES**

 **Vetro monolitico**  
Monolithic glass



AISI304					A x B	Ø	T
E	1	11	000	06	45 x 45 x 28 mm 1 3/4" x 1 3/4" x 1 3/32"	Superficie piana Flat surface	6 mm 1/4"
E	1	11	000	08	45 x 45 x 28 mm 1 3/4" x 1 3/4" x 1 3/32"	Superficie piana Flat surface	8 mm 5/16"
E	1	11	000	10	45 x 45 x 28 mm 1 3/4" x 1 3/4" x 1 3/32"	Superficie piana Flat surface	10 mm 3/8"
E	1	11	042	06	45 x 45 x 28 mm 1 3/4" x 1 3/4" x 1 3/32"	42,4 mm 1 2/3"	6 mm 1/4"
E	1	11	042	08	45 x 45 x 28 mm 1 3/4" x 1 3/4" x 1 3/32"	42,4 mm 1 2/3"	8 mm 5/16"
E	1	11	042	10	45 x 45 x 28 mm 1 3/4" x 1 3/4" x 1 3/32"	42,4 mm 1 2/3"	10 mm 3/8"
E	1	11	048	06	45 x 45 x 28 mm 1 3/4" x 1 3/4" x 1 3/32"	48,3 mm 1 7/8"	6 mm 1/4"
E	1	11	048	08	45 x 45 x 28 mm 1 3/4" x 1 3/4" x 1 3/32"	48,3 mm 1 7/8"	8 mm 5/16"
E	1	11	048	10	45 x 45 x 28 mm 1 3/4" x 1 3/4" x 1 3/32"	48,3 mm 1 7/8"	10 mm 3/8"

AISI316					A x B	Ø	T
E	2	11	000	06	45 x 45 x 28 mm 1 3/4" x 1 3/4" x 1 3/32"	Superficie piana Flat surface	6 mm 1/4"
E	2	11	000	08	45 x 45 x 28 mm 1 3/4" x 1 3/4" x 1 3/32"	Superficie piana Flat surface	8 mm 5/16"
E	2	11	000	10	45 x 45 x 28 mm 1 3/4" x 1 3/4" x 1 3/32"	Superficie piana Flat surface	10 mm 3/8"
E	2	11	042	06	45 x 45 x 28 mm 1 3/4" x 1 3/4" x 1 3/32"	42,4 mm 1 2/3"	6 mm 1/4"
E	2	11	042	08	45 x 45 x 28 mm 1 3/4" x 1 3/4" x 1 3/32"	42,4 mm 1 2/3"	8 mm 5/16"
E	2	11	042	10	45 x 45 x 28 mm 1 3/4" x 1 3/4" x 1 3/32"	42,4 mm 1 2/3"	10 mm 3/8"
E	2	11	048	06	45 x 45 x 28 mm 1 3/4" x 1 3/4" x 1 3/32"	48,3 mm 1 7/8"	6 mm 1/4"
E	2	11	048	08	45 x 45 x 28 mm 1 3/4" x 1 3/4" x 1 3/32"	48,3 mm 1 7/8"	8 mm 5/16"
E	2	11	048	10	45 x 45 x 28 mm 1 3/4" x 1 3/4" x 1 3/32"	48,3 mm 1 7/8"	10 mm 3/8"

 **Vetro laminato**  
Laminated glass

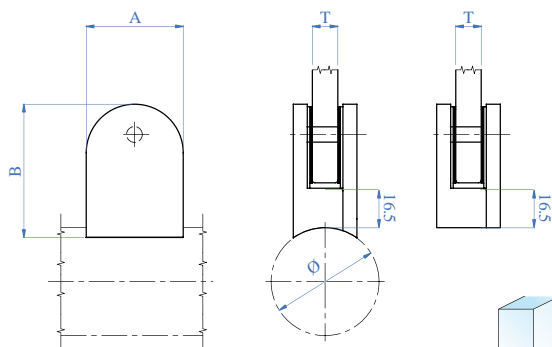
AISI304					A x B	Ø	T
E	1	11	000	07	45 x 45 x 28 mm 1 3/4" x 1 3/4" x 1 3/32"	Superficie piana Flat surface	6,76 mm (3+0,76+3)
E	1	11	000	09	45 x 45 x 28 mm 1 3/4" x 1 3/4" x 1 3/32"	Superficie piana Flat surface	8,76 mm (4+0,76+4)
E	1	11	000	44	45 x 45 x 28 mm 1 3/4" x 1 3/4" x 1 3/32"	Superficie piana Flat surface	9,52 mm (4+1,52+4)
E	1	11	042	07	45 x 45 x 28 mm 1 3/4" x 1 3/4" x 1 3/32"	42,4 mm 1 2/3"	6,76 mm (3+0,76+3)
E	1	11	042	09	45 x 45 x 28 mm 1 3/4" x 1 3/4" x 1 3/32"	42,4 mm 1 2/3"	8,76 mm (4+0,76+4)
E	1	11	042	44	45 x 45 x 28 mm 1 3/4" x 1 3/4" x 1 3/32"	42,4 mm 1 2/3"	9,52 mm (4+1,52+4)
E	1	11	048	07	45 x 45 x 28 mm 1 3/4" x 1 3/4" x 1 3/32"	48,3 mm 1 7/8"	6,76 mm (3+0,76+3)
E	1	11	048	09	45 x 45 x 28 mm 1 3/4" x 1 3/4" x 1 3/32"	48,3 mm 1 7/8"	8,76 mm (4+0,76+4)
E	1	11	048	44	45 x 45 x 28 mm 1 3/4" x 1 3/4" x 1 3/32"	48,3 mm 1 7/8"	9,52 mm (4+1,52+4)

AISI316					A x B	Ø	T
E	2	11	000	07	45 x 45 x 28 mm 1 3/4" x 1 3/4" x 1 3/32"	Superficie piana Flat surface	6,76 mm (3+0,76+3)
E	2	11	000	09	45 x 45 x 28 mm 1 3/4" x 1 3/4" x 1 3/32"	Superficie piana Flat surface	8,76 mm (4+0,76+4)
E	2	11	000	44	45 x 45 x 28 mm 1 3/4" x 1 3/4" x 1 3/32"	Superficie piana Flat surface	9,52 mm (4+1,52+4)
E	2	11	042	07	45 x 45 x 28 mm 1 3/4" x 1 3/4" x 1 3/32"	42,4 mm 1 2/3"	6,76 mm (3+0,76+3)
E	2	11	042	09	45 x 45 x 28 mm 1 3/4" x 1 3/4" x 1 3/32"	42,4 mm 1 2/3"	8,76 mm (4+0,76+4)
E	2	11	042	44	45 x 45 x 28 mm 1 3/4" x 1 3/4" x 1 3/32"	42,4 mm 1 2/3"	9,52 mm (4+1,52+4)
E	2	11	048	07	45 x 45 x 28 mm 1 3/4" x 1 3/4" x 1 3/32"	48,3 mm 1 7/8"	6,76 mm (3+0,76+3)
E	2	11	048	09	45 x 45 x 28 mm 1 3/4" x 1 3/4" x 1 3/32"	48,3 mm 1 7/8"	8,76 mm (4+0,76+4)
E	2	11	048	44	45 x 45 x 28 mm 1 3/4" x 1 3/4" x 1 3/32"	48,3 mm 1 7/8"	9,52 mm (4+1,52+4)









**NUOVE  
CARATTERISTICHE  
NEW  
FEATURES**

 **Vetro monolitico**  
Monolithic glass



AIS1304					A x B	Ø	T
E	1	12	000	06	45 x 63 x 28 mm 1 3/4" x 2 31/64" x 1 3/32"	Superficie piana Flat surface	6 mm 1/4"
E	1	12	000	08	45 x 63 x 28 mm 1 3/4" x 2 31/64" x 1 3/32"	Superficie piana Flat surface	8 mm 5/16"
E	1	12	000	10	45 x 63 x 28 mm 1 3/4" x 2 31/64" x 1 3/32"	Superficie piana Flat surface	10 mm 3/8"
E	1	12	042	06	45 x 63 x 28 mm 1 3/4" x 2 31/64" x 1 3/32"	42,4 mm 1 2/3"	6 mm 1/4"
E	1	12	042	08	45 x 63 x 28 mm 1 3/4" x 2 31/64" x 1 3/32"	42,4 mm 1 2/3"	8 mm 5/16"
E	1	12	042	10	45 x 63 x 28 mm 1 3/4" x 2 31/64" x 1 3/32"	42,4 mm 1 2/3"	10 mm 3/8"
E	1	12	048	06	45 x 63 x 28 mm 1 3/4" x 2 31/64" x 1 3/32"	48,3 mm 1 7/8"	6 mm 1/4"
E	1	12	048	08	45 x 63 x 28 mm 1 3/4" x 2 31/64" x 1 3/32"	48,3 mm 1 7/8"	8 mm 5/16"
E	1	12	048	10	45 x 63 x 28 mm 1 3/4" x 2 31/64" x 1 3/32"	48,3 mm 1 7/8"	10 mm 3/8"

AIS1316					A x B	Ø	T
E	2	12	000	06	45 x 63 x 28 mm 1 3/4" x 2 31/64" x 1 3/32"	Superficie piana Flat surface	6 mm 1/4"
E	2	12	000	08	45 x 63 x 28 mm 1 3/4" x 2 31/64" x 1 3/32"	Superficie piana Flat surface	8 mm 5/16"
E	2	12	000	10	45 x 63 x 28 mm 1 3/4" x 2 31/64" x 1 3/32"	Superficie piana Flat surface	10 mm 3/8"
E	2	12	042	06	45 x 63 x 28 mm 1 3/4" x 2 31/64" x 1 3/32"	42,4 mm 1 2/3"	6 mm 1/4"
E	2	12	042	08	45 x 63 x 28 mm 1 3/4" x 2 31/64" x 1 3/32"	42,4 mm 1 2/3"	8 mm 5/16"
E	2	12	042	10	45 x 63 x 28 mm 1 3/4" x 2 31/64" x 1 3/32"	42,4 mm 1 2/3"	10 mm 3/8"
E	2	12	048	06	45 x 63 x 28 mm 1 3/4" x 2 31/64" x 1 3/32"	48,3 mm 1 7/8"	6 mm 1/4"
E	2	12	048	08	45 x 63 x 28 mm 1 3/4" x 2 31/64" x 1 3/32"	48,3 mm 1 7/8"	8 mm 5/16"
E	2	12	048	10	45 x 63 x 28 mm 1 3/4" x 2 31/64" x 1 3/32"	48,3 mm 1 7/8"	10 mm 3/8"

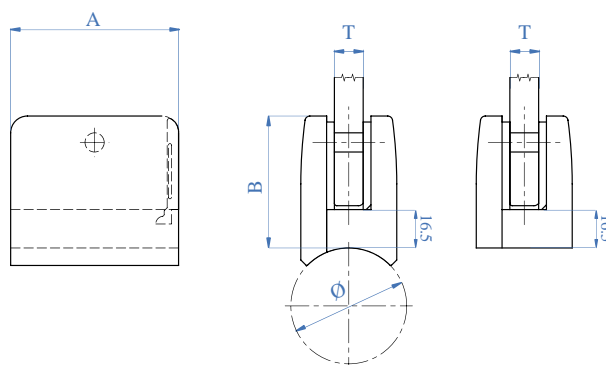
 **Vetro laminato**  
Laminated glass

AIS1304					A x B	Ø	T
E	1	12	000	07	45 x 63 x 28 mm 1 3/4" x 2 31/64" x 1 3/32"	Superficie piana Flat surface	6,76 mm (3+0,76+3)
E	1	12	000	09	45 x 63 x 28 mm 1 3/4" x 2 31/64" x 1 3/32"	Superficie piana Flat surface	8,76 mm (4+0,76+4)
E	1	12	000	44	45 x 63 x 28 mm 1 3/4" x 2 31/64" x 1 3/32"	Superficie piana Flat surface	9,52 mm (4+1,52+4)
E	1	12	042	07	45 x 63 x 28 mm 1 3/4" x 2 31/64" x 1 3/32"	42,4 mm 1 2/3"	6,76 mm (3+0,76+3)
E	1	12	042	09	45 x 63 x 28 mm 1 3/4" x 2 31/64" x 1 3/32"	42,4 mm 1 2/3"	8,76 mm (4+0,76+4)
E	1	12	042	44	45 x 63 x 28 mm 1 3/4" x 2 31/64" x 1 3/32"	42,4 mm 1 2/3"	9,52 mm (4+1,52+4)
E	1	12	048	07	45 x 63 x 28 mm 1 3/4" x 2 31/64" x 1 3/32"	48,3 mm 1 7/8"	6,76 mm (3+0,76+3)
E	1	12	048	09	45 x 63 x 28 mm 1 3/4" x 2 31/64" x 1 3/32"	48,3 mm 1 7/8"	8,76 mm (4+0,76+4)
E	1	12	048	44	45 x 63 x 28 mm 1 3/4" x 2 31/64" x 1 3/32"	48,3 mm 1 7/8"	9,52 mm (4+1,52+4)

AIS1316					A x B	Ø	T
E	2	12	000	07	45 x 63 x 28 mm 1 3/4" x 2 31/64" x 1 3/32"	Superficie piana Flat surface	6,76 mm (3+0,76+3)
E	2	12	000	09	45 x 63 x 28 mm 1 3/4" x 2 31/64" x 1 3/32"	Superficie piana Flat surface	8,76 mm (4+0,76+4)
E	2	12	000	44	45 x 63 x 28 mm 1 3/4" x 2 31/64" x 1 3/32"	Superficie piana Flat surface	9,52 mm (4+1,52+4)
E	2	12	042	07	45 x 63 x 28 mm 1 3/4" x 2 31/64" x 1 3/32"	42,4 mm 1 2/3"	6,76 mm (3+0,76+3)
E	2	12	042	09	45 x 63 x 28 mm 1 3/4" x 2 31/64" x 1 3/32"	42,4 mm 1 2/3"	8,76 mm (4+0,76+4)
E	2	12	042	44	45 x 63 x 28 mm 1 3/4" x 2 31/64" x 1 3/32"	42,4 mm 1 2/3"	9,52 mm (4+1,52+4)
E	2	12	048	07	45 x 63 x 28 mm 1 3/4" x 2 31/64" x 1 3/32"	48,3 mm 1 7/8"	6,76 mm (3+0,76+3)
E	2	12	048	09	45 x 63 x 28 mm 1 3/4" x 2 31/64" x 1 3/32"	48,3 mm 1 7/8"	8,76 mm (4+0,76+4)
E	2	12	048	44	45 x 63 x 28 mm 1 3/4" x 2 31/64" x 1 3/32"	48,3 mm 1 7/8"	9,52 mm (4+1,52+4)



 **Vetro monolitico**  
Monolithic glass



AISI304					A x B	Ø	T
E	1	13	000	12	70 x 44 x 40 mm 2 3/4" x 1 3/4" x 1 9/16"	Superficie piana Flat surface	12 mm 1/2"
E	1	13	000	15	70 x 44 x 40 mm 2 3/4" x 1 3/4" x 1 9/16"	Superficie piana Flat surface	15 mm 19/32"
E	1	13	048	12	70 x 44 x 40 mm 2 3/4" x 1 3/4" x 1 9/16"	48,3 mm 1 7/8"	12 mm 1/2"
E	1	13	048	15	70 x 44 x 40 mm 2 3/4" x 1 3/4" x 1 9/16"	48,3 mm 1 7/8"	15 mm 19/32"

AISI316					A x B	Ø	T
E	2	13	000	12	70 x 44 x 40 mm 2 3/4" x 1 3/4" x 1 9/16"	Superficie piana Flat surface	12 mm 1/2"
E	2	13	000	15	70 x 44 x 40 mm 2 3/4" x 1 3/4" x 1 9/16"	Superficie piana Flat surface	15 mm 19/32"
E	2	13	048	12	70 x 44 x 40 mm 2 3/4" x 1 3/4" x 1 9/16"	48,3 mm 1 7/8"	12 mm 1/2"
E	2	13	048	15	70 x 44 x 40 mm 2 3/4" x 1 3/4" x 1 9/16"	48,3 mm 1 7/8"	15 mm 19/32"

 **Vetro laminato**  
Laminated glass

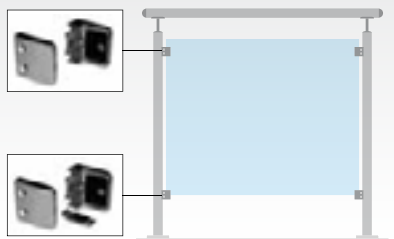
AISI304					A x B	Ø	T
E	1	13	000	44	70 x 44 x 40 mm 2 3/4" x 1 3/4" x 1 9/16"	Superficie piana Flat surface	9,52 mm (4+1,52+4)
E	1	13	000	13	70 x 44 x 40 mm 2 3/4" x 1 3/4" x 1 9/16"	Superficie piana Flat surface	12,76 mm (6+0,76+6)
E	1	13	000	17	70 x 44 x 40 mm 2 3/4" x 1 3/4" x 1 9/16"	Superficie piana Flat surface	16,76 mm (8+0,76+8)
E	1	13	000	18	70 x 44 x 40 mm 2 3/4" x 1 3/4" x 1 9/16"	Superficie piana Flat surface	17,52 mm (8+1,52+8)
E	1	13	048	44	70 x 44 x 40 mm 2 3/4" x 1 3/4" x 1 9/16"	48,3 mm 1 7/8"	9,52 mm (4+1,52+4)
E	1	13	048	13	70 x 44 x 40 mm 2 3/4" x 1 3/4" x 1 9/16"	48,3 mm 1 7/8"	12,76 mm (6+0,76+6)
E	1	13	048	17	70 x 44 x 40 mm 2 3/4" x 1 3/4" x 1 9/16"	48,3 mm 1 7/8"	16,76 mm (8+0,76+8)
E	1	13	048	18	70 x 44 x 40 mm 2 3/4" x 1 3/4" x 1 9/16"	48,3 mm 1 7/8"	17,52 mm (8+1,52+8)

AISI316					A x B	Ø	T
E	2	13	000	44	70 x 44 x 40 mm 2 3/4" x 1 3/4" x 1 9/16"	Superficie piana Flat surface	9,52 mm (4+1,52+4)
E	2	13	000	13	70 x 44 x 40 mm 2 3/4" x 1 3/4" x 1 9/16"	Superficie piana Flat surface	12,76 mm (6+0,76+6)
E	2	13	000	17	70 x 44 x 40 mm 2 3/4" x 1 3/4" x 1 9/16"	Superficie piana Flat surface	16,76 mm (8+0,76+8)
E	2	13	000	18	70 x 44 x 40 mm 2 3/4" x 1 3/4" x 1 9/16"	Superficie piana Flat surface	17,52 mm (8+1,52+8)
E	2	13	048	44	70 x 44 x 40 mm 2 3/4" x 1 3/4" x 1 9/16"	48,3 mm 1 7/8"	9,52 mm (4+1,52+4)
E	2	13	048	13	70 x 44 x 40 mm 2 3/4" x 1 3/4" x 1 9/16"	48,3 mm 1 7/8"	12,76 mm (6+0,76+6)
E	2	13	048	17	70 x 44 x 40 mm 2 3/4" x 1 3/4" x 1 9/16"	48,3 mm 1 7/8"	16,76 mm (8+0,76+8)
E	2	13	048	18	70 x 44 x 40 mm 2 3/4" x 1 3/4" x 1 9/16"	48,3 mm 1 7/8"	17,52 mm (8+1,52+8)

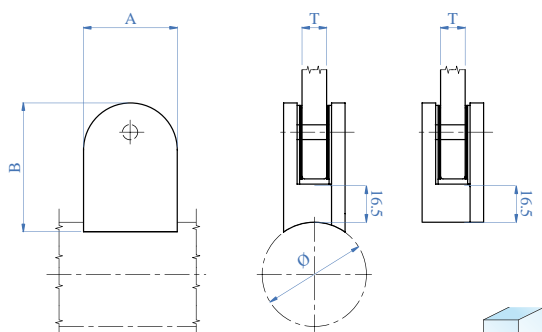
### Info

PER ELIMINARE TOTALMENTE LA POSSIBILITÀ DI SCIVOLAMENTO DEL VETRO UTILIZZARE L'ACCESSORIO IN DOTAZIONE.

TO COMPLETELY ELIMINATE THE POSSIBILITY OF GLASS SLIDING USE THE SUPPLIED ACCESSORY







Vetro monolitico  
Monolithic glass



AISI304					A x B	Ø	T
E	1	14	000	12	45 x 63 x 30 mm 1 3/4" x 2 31/64" x 1 3/16"	Superficie piana Flat surface	12 mm 1/2"
E	1	14	042	12	45 x 63 x 30 mm 1 3/4" x 2 31/64" x 1 3/16"	42,4 mm 1 2/3"	12 mm 1/2"
E	1	14	048	12	45 x 63 x 30 mm 1 3/4" x 2 31/64" x 1 3/16"	48,3 mm 1 7/8"	12 mm 1/2"

AISI316					A x B	Ø	T
E	2	14	000	12	45 x 63 x 30 mm 1 3/4" x 2 31/64" x 1 3/16"	Superficie piana Flat surface	12 mm 1/2"
E	2	14	042	12	45 x 63 x 30 mm 1 3/4" x 2 31/64" x 1 3/16"	42,4 mm 1 2/3"	12 mm 1/2"
E	2	14	048	12	45 x 63 x 30 mm 1 3/4" x 2 31/64" x 1 3/16"	48,3 mm 1 7/8"	12 mm 1/2"

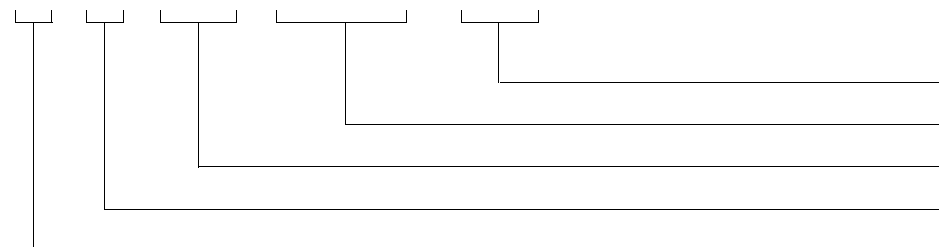


Vetro laminato  
Laminated glass

AISI304					A x B	Ø	T
E	1	14	000	11	45 x 63 x 30 mm 1 3/4" x 2 31/64" x 1 3/16"	Superficie piana Flat surface	10,76 mm (5+0,76+5)
E	1	14	000	13	45 x 63 x 30 mm 1 3/4" x 2 31/64" x 1 3/16"	Superficie piana Flat surface	12,76 mm (6+0,76+6)
E	1	14	042	11	45 x 63 x 30 mm 1 3/4" x 2 31/64" x 1 3/16"	42,4 mm 1 2/3"	10,76 mm (5+0,76+5)
E	1	14	042	13	45 x 63 x 30 mm 1 3/4" x 2 31/64" x 1 3/16"	42,4 mm 1 2/3"	12,76 mm (6+0,76+6)
E	1	14	048	11	45 x 63 x 30 mm 1 3/4" x 2 31/64" x 1 3/16"	48,3 mm 1 7/8"	10,76 mm (5+0,76+5)
E	1	14	048	13	45 x 63 x 30 mm 1 3/4" x 2 31/64" x 1 3/16"	48,3 mm 1 7/8"	12,76 mm (6+0,76+6)

AISI316					A x B	Ø	T
E	2	14	000	11	45 x 63 x 30 mm 1 3/4" x 2 31/64" x 1 3/16"	Superficie piana Flat surface	10,76 mm (5+0,76+5)
E	2	14	000	13	45 x 63 x 30 mm 1 3/4" x 2 31/64" x 1 3/16"	Superficie piana Flat surface	12,76 mm (6+0,76+6)
E	2	14	042	11	45 x 63 x 30 mm 1 3/4" x 2 31/64" x 1 3/16"	42,4 mm 1 2/3"	10,76 mm (5+0,76+5)
E	2	14	042	13	45 x 63 x 30 mm 1 3/4" x 2 31/64" x 1 3/16"	42,4 mm 1 2/3"	12,76 mm (6+0,76+6)
E	2	14	048	11	45 x 63 x 30 mm 1 3/4" x 2 31/64" x 1 3/16"	48,3 mm 1 7/8"	10,76 mm (5+0,76+5)
E	2	14	048	13	45 x 63 x 30 mm 1 3/4" x 2 31/64" x 1 3/16"	48,3 mm 1 7/8"	12,76 mm (6+0,76+6)

E 1 14 042 13



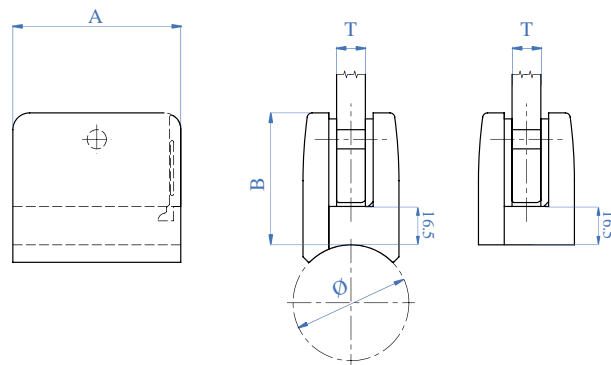
Spessore vetro - Glass Thickness  
Superficie di ancoraggio - Anchor surface  
Modello - Model  
Materiale - Material  
Finitura - Finishing

NUOVE  
CARATTERISTICHE  
NEW  
FEATURES



**NUOVE  
CARATTERISTICHE  
NEW  
FEATURES**

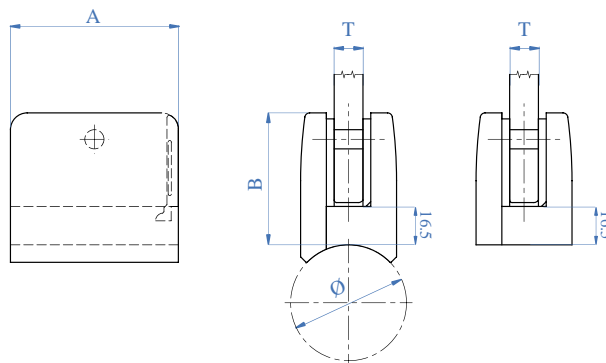
 **Vetro monolitico**  
Monolithic glass



AISI304		A x B	Ø	T
E 1 15 000	08	55 x 55 x 35 mm 2 11/64" x 2 11/64" x 1 9/16"	Superficie piana Flat surface	8 mm 5/16"
E 1 15 000	10	55 x 55 x 35 mm 2 11/64" x 2 11/64" x 1 9/16"	Superficie piana Flat surface	10 mm 3/8"
E 1 15 000	12	55 x 55 x 35 mm 2 11/64" x 2 11/64" x 1 9/16"	Superficie piana Flat surface	12 mm 1/2"
E 1 15 042	08	55 x 55 x 35 mm 2 11/64" x 2 11/64" x 1 9/16"	42,4 mm 1 2/3"	8 mm 5/16"
E 1 15 042	10	55 x 55 x 35 mm 2 11/64" x 2 11/64" x 1 9/16"	42,4 mm 1 2/3"	10 mm 3/8"
E 1 15 042	12	55 x 55 x 35 mm 2 11/64" x 2 11/64" x 1 9/16"	42,4 mm 1 2/3"	12 mm 1/2"
E 1 15 048	08	55 x 55 x 35 mm 2 11/64" x 2 11/64" x 1 9/16"	48,3 mm 1 7/8"	8 mm 5/16"
E 1 15 048	10	55 x 55 x 35 mm 2 11/64" x 2 11/64" x 1 9/16"	48,3 mm 1 7/8"	10 mm 3/8"
E 1 15 048	12	55 x 55 x 35 mm 2 11/64" x 2 11/64" x 1 9/16"	48,3 mm 1 7/8"	12 mm 1/2"

AISI316		A x B	Ø	T
E 2 15 000	08	55 x 55 x 35 mm 2 11/64" x 2 11/64" x 1 9/16"	Superficie piana Flat surface	8 mm 5/16"
E 2 15 000	10	55 x 55 x 35 mm 2 11/64" x 2 11/64" x 1 9/16"	Superficie piana Flat surface	10 mm 3/8"
E 2 15 000	12	55 x 55 x 35 mm 2 11/64" x 2 11/64" x 1 9/16"	Superficie piana Flat surface	12 mm 1/2"
E 2 15 042	08	55 x 55 x 35 mm 2 11/64" x 2 11/64" x 1 9/16"	42,4 mm 1 2/3"	8 mm 5/16"
E 2 15 042	10	55 x 55 x 35 mm 2 11/64" x 2 11/64" x 1 9/16"	42,4 mm 1 2/3"	10 mm 3/8"
E 2 15 042	12	55 x 55 x 35 mm 2 11/64" x 2 11/64" x 1 9/16"	42,4 mm 1 2/3"	12 mm 1/2"
E 2 15 048	08	55 x 55 x 35 mm 2 11/64" x 2 11/64" x 1 9/16"	48,3 mm 1 7/8"	8 mm 5/16"
E 2 15 048	10	55 x 55 x 35 mm 2 11/64" x 2 11/64" x 1 9/16"	48,3 mm 1 7/8"	10 mm 3/8"
E 2 15 048	12	55 x 55 x 35 mm 2 11/64" x 2 11/64" x 1 9/16"	48,3 mm 1 7/8"	12 mm 1/2"



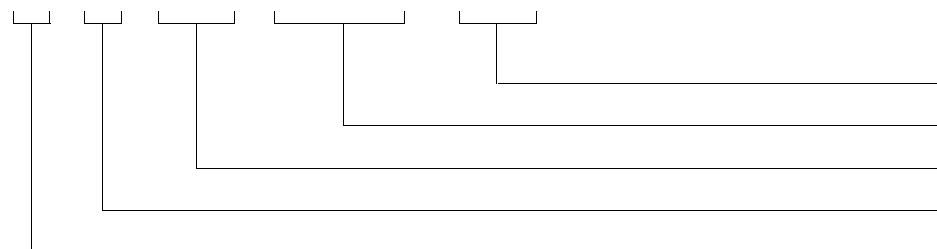


 **Vetro laminato**  
Laminated glass

AISI304					A x B	Ø	T
E	1	15	000	09	55 x 55 x 35 mm 2 11/64" x 2 11/64" x 1 9/16"	Superficie piana Flat surface	8,76 mm 11/32"
E	1	15	000	11	55 x 55 x 35 mm 2 11/64" x 2 11/64" x 1 9/16"	Superficie piana Flat surface	10,76 mm 7/16"
E	1	15	000	44	55 x 55 x 35 mm 2 11/64" x 2 11/64" x 1 9/16"	Superficie piana Flat surface	9,52 mm 3/8"
E	1	15	000	13	55 x 55 x 35 mm 2 11/64" x 2 11/64" x 1 9/16"	Superficie piana Flat surface	12,76 mm 1/2"
E	1	15	042	09	55 x 55 x 35 mm 2 11/64" x 2 11/64" x 1 9/16"	42,4 mm 1 2/3"	8,76 mm 11/32"
E	1	15	042	11	55 x 55 x 35 mm 2 11/64" x 2 11/64" x 1 9/16"	42,4 mm 1 2/3"	10,76 mm 7/16"
E	1	15	042	44	55 x 55 x 35 mm 2 11/64" x 2 11/64" x 1 9/16"	42,4 mm 1 2/3"	9,52 mm 3/8"
E	1	15	042	13	55 x 55 x 35 mm 2 11/64" x 2 11/64" x 1 9/16"	42,4 mm 1 2/3"	12,76 mm 1/2"
E	1	15	048	09	55 x 55 x 35 mm 2 11/64" x 2 11/64" x 1 9/16"	48,3 mm 1 7/8"	8,76 mm 11/32"
E	1	15	048	11	55 x 55 x 35 mm 2 11/64" x 2 11/64" x 1 9/16"	48,3 mm 1 7/8"	10,76 mm 7/16"
E	1	15	048	44	55 x 55 x 35 mm 2 11/64" x 2 11/64" x 1 9/16"	48,3 mm 1 7/8"	9,52 mm 3/8"
E	1	15	048	13	55 x 55 x 35 mm 2 11/64" x 2 11/64" x 1 9/16"	48,3 mm 1 7/8"	12,76 mm 1/2"

AISI316					A x B	Ø	T
E	2	15	000	09	55 x 55 x 35 mm 2 11/64" x 2 11/64" x 1 9/16"	Superficie piana Flat surface	8,76 mm 11/32"
E	2	15	000	11	55 x 55 x 35 mm 2 11/64" x 2 11/64" x 1 9/16"	Superficie piana Flat surface	10,76 mm 7/16"
E	2	15	000	44	55 x 55 x 35 mm 2 11/64" x 2 11/64" x 1 9/16"	Superficie piana Flat surface	9,52 mm 3/8"
E	2	15	000	13	55 x 55 x 35 mm 2 11/64" x 2 11/64" x 1 9/16"	Superficie piana Flat surface	12,76 mm 1/2"
E	2	15	042	09	55 x 55 x 35 mm 2 11/64" x 2 11/64" x 1 9/16"	42,4 mm 1 2/3"	8,76 mm 11/32"
E	2	15	042	11	55 x 55 x 35 mm 2 11/64" x 2 11/64" x 1 9/16"	42,4 mm 1 2/3"	10,76 mm 7/16"
E	2	15	042	44	55 x 55 x 35 mm 2 11/64" x 2 11/64" x 1 9/16"	42,4 mm 1 2/3"	9,52 mm 3/8"
E	2	15	042	13	55 x 55 x 35 mm 2 11/64" x 2 11/64" x 1 9/16"	42,4 mm 1 2/3"	12,76 mm 1/2"
E	2	15	048	09	55 x 55 x 35 mm 2 11/64" x 2 11/64" x 1 9/16"	48,3 mm 1 7/8"	8,76 mm 11/32"
E	2	15	048	11	55 x 55 x 35 mm 2 11/64" x 2 11/64" x 1 9/16"	48,3 mm 1 7/8"	10,76 mm 7/16"
E	2	15	048	44	55 x 55 x 35 mm 2 11/64" x 2 11/64" x 1 9/16"	48,3 mm 1 7/8"	9,52 mm 3/8"
E	2	15	048	13	55 x 55 x 35 mm 2 11/64" x 2 11/64" x 1 9/16"	48,3 mm 1 7/8"	12,76 mm 1/2"

E 1 15 048 44



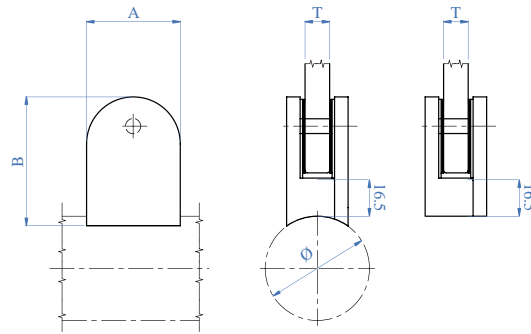
**NUOVE  
CARATTERISTICHE  
NEW  
FEATURES**

- Spessore vetro - Glass Thickness
- Superficie di ancoraggio - Anchor surface
- Modello - Model
- Materiale - Material
- Finitura - Finishing





 **Vetro monolitico**  
Monolithic glass



AISI304					Dimensioni Dimensions	Ø	T
E	1	16	000	10	40 x 50 x 28 mm 1 9/16" x 2" x 1 3/32"	Superficie piana Flat surface	10 mm 3/8"
E	1	16	033	10	40 x 50 x 28 mm 1 9/16" x 2" x 1 3/32"	33,7 mm 1 1/3"	10 mm 3/8"
E	1	16	042	10	40 x 50 x 28 mm 1 9/16" x 2" x 1 3/32"	42,4 mm 1 2/3"	10 mm 3/8"

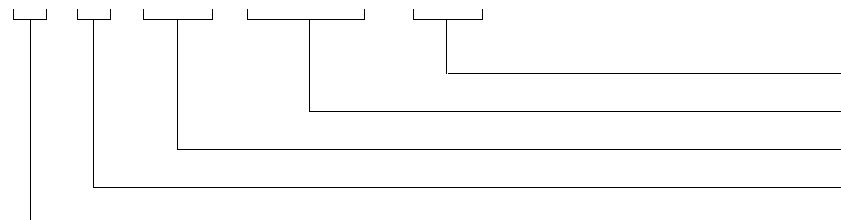
AISI316					Dimensioni Dimensions	Ø	T
E	2	16	000	10	40 x 50 x 28 mm 1 9/16" x 2" x 1 3/32"	Superficie piana Flat surface	10 mm 3/8"
E	2	16	033	10	40 x 50 x 28 mm 1 9/16" x 2" x 1 3/32"	33,7 mm 1 1/3"	10 mm 3/8"
E	2	16	042	10	40 x 50 x 28 mm 1 9/16" x 2" x 1 3/32"	42,4 mm 1 2/3"	10 mm 3/8"

 **Vetro laminato**  
Laminated glass

AISI304					Dimensioni Dimensions	Ø	T
E	1	16	000	09	40 x 50 x 28 mm 1 9/16" x 2" x 1 3/32"	Superficie piana Flat surface	8,76 mm 11/32"
E	1	16	000	11	40 x 50 x 28 mm 1 9/16" x 2" x 1 3/32"	Superficie piana Flat surface	10,76 mm 7/16"
E	1	16	000	44	40 x 50 x 28 mm 1 9/16" x 2" x 1 3/32"	Superficie piana Flat surface	9,52 mm 3/8"
E	1	16	033	09	40 x 50 x 28 mm 1 9/16" x 2" x 1 3/32"	33,7 mm 1 1/3"	8,76 mm 11/32"
E	1	16	033	11	40 x 50 x 28 mm 1 9/16" x 2" x 1 3/32"	33,7 mm 1 1/3"	10,76 mm 7/16"
E	1	16	033	44	40 x 50 x 28 mm 1 9/16" x 2" x 1 3/32"	33,7 mm 1 1/3"	9,52 mm 3/8"
E	1	16	042	09	40 x 50 x 28 mm 1 9/16" x 2" x 1 3/32"	42,4 mm 1 2/3"	8,76 mm 11/32"
E	1	16	042	11	40 x 50 x 28 mm 1 9/16" x 2" x 1 3/32"	42,4 mm 1 2/3"	10,76 mm 7/16"
E	1	16	042	44	40 x 50 x 28 mm 1 9/16" x 2" x 1 3/32"	42,4 mm 1 2/3"	9,52 mm 3/8"

AISI316					Dimensioni Dimensions	Ø	T
E	2	16	000	09	40 x 50 x 28 mm 1 9/16" x 2" x 1 3/32"	Superficie piana Flat surface	8,76 mm 11/32"
E	2	16	000	11	40 x 50 x 28 mm 1 9/16" x 2" x 1 3/32"	Superficie piana Flat surface	10,76 mm 7/16"
E	2	16	000	44	40 x 50 x 28 mm 1 9/16" x 2" x 1 3/32"	Superficie piana Flat surface	9,52 mm 3/8"
E	2	16	033	09	40 x 50 x 28 mm 1 9/16" x 2" x 1 3/32"	33,7 mm 1 1/3"	8,76 mm 11/32"
E	2	16	033	11	40 x 50 x 28 mm 1 9/16" x 2" x 1 3/32"	33,7 mm 1 1/3"	10,76 mm 7/16"
E	2	16	033	44	40 x 50 x 28 mm 1 9/16" x 2" x 1 3/32"	33,7 mm 1 1/3"	9,52 mm 3/8"
E	2	16	042	09	40 x 50 x 28 mm 1 9/16" x 2" x 1 3/32"	42,4 mm 1 2/3"	8,76 mm 11/32"
E	2	16	042	11	40 x 50 x 28 mm 1 9/16" x 2" x 1 3/32"	42,4 mm 1 2/3"	10,76 mm 7/16"
E	2	16	042	44	40 x 50 x 28 mm 1 9/16" x 2" x 1 3/32"	42,4 mm 1 2/3"	9,52 mm 3/8"

E 1 16 042 44



- Spessore vetro - Glass Thickness
- Superficie di ancoraggio - Anchor surface
- Modello - Model
- Materiale - Material
- Finitura - Finishing



E 1 10 042 44

NUOVO SISTEMA DI CODIFICA NEW CODING SYSTEM

Finitura Finishing	Materiale Material	Modello Model	Superficie di ancoraggio Anchor surface	Spessore vetro Glass Thickness	Spessore vetro Glass Thickness
<b>E</b> Satinato Satin Finish	<b>1</b> AISI 303 AISI 304	<b>10</b> 40 x 50 x 24 mm - 1 9/16" x 2" x 15/16" Tondo - Round	<b>000</b> Superficie piana Flat Surface	<b>06</b> 6 mm 1/4"	<b>44</b> 9,52 mm 3/8"
<b>X</b> lucidato a specchio Mirror Polished	<b>2</b> AISI 316	<b>11</b> 45 x 45 x 28 mm - 1 3/4" x 1 3/4" x 1 3/32" Quadrato - Square	<b>033</b> Ø 33,7 mm 1 1/3"	<b>07</b> 6,76 mm 1/4"	<b>12</b> 12 mm 1/2"
<b>Z</b> zincato Galvanized	<b>3</b> Zamac/Alluminio Zamac/Aluminium	<b>12</b> 45 x 63 x 28 mm - 1 3/4" x 2 31/64" x 1 3/32"	<b>042</b> Ø 42,4 mm 1 2/3"	<b>08</b> 8 mm 5/16"	<b>13</b> 12,76 mm 1/2"
<b>J</b> Grezzo Raw	<b>4</b> Ferro Iron	<b>13</b> 70 x 44 x 40 mm - 2 3/4" x 1 3/4" x 1 9/16" Quadrato - Square fermo laterale - with security plate	<b>048</b> Ø 48,3 mm 1 7/8"	<b>09</b> 8,76 mm 11/32"	<b>15</b> 15 mm 19/32"
		<b>14</b> 45 x 63 x 30 mm - 1 3/4" x 2 31/64" x 1 3/16" Tondo - Round	<b>050</b> Ø 50,8 mm 2"	<b>10</b> 10 mm 3/8"	<b>17</b> 16,76 mm 5/8"
		<b>15</b> 55 x 55 x 35 mm - 2 11/64" x 2 11/64" x 1 9/16" Quadrato - Square fermo laterale - with security plate		<b>11</b> 10 mm 7/16"	<b>18</b> 17,52 mm 2/3"
		<b>16</b> 40 x 50 x 28 mm - 1 9/16" x 2" x 1 3/32" Tondo - Round			

Codice attuale Code in use	Modello Model	Spessore vetro Glass Thickness	Nuovo New	Per tubo For tube	AISI304	AISI316	Finitura Finishing
E00911	10	6 mm	NEW	Superficie Piana Flat Surface	E11000006	E21000006	Satinata Satin finish
		6,76 mm	NEW	Superficie Piana Flat Surface	E11000007	E21000007	
		8 mm	—	Superficie Piana Flat Surface	E11000008	E21000008	
	16	8,76 mm	NEW	Superficie Piana Flat Surface	E11600009	E21600009	Satinata Satin finish
		9,52 mm	NEW	Superficie Piana Flat Surface	E11600044	E21600044	
		10 mm	—	Superficie Piana Flat Surface	E11600010	E21600010	
E00912	10	6 mm	NEW	42,4 mm	E11004206	E21004206	Satinata Satin finish
		6,76 mm	NEW	42,4 mm	E11004207	E21004207	
		8 mm	—	42,4 mm	E11004208	E21004208	
	16	8,76 mm	NEW	42,4 mm	E11604209	E21604209	Satinata Satin finish
		9,52 mm	NEW	42,4 mm	E11604244	E21604244	
		10 mm	—	42,4 mm	E11604210	E21604210	
E00913	10	6 mm	NEW	33,7 mm	E11003306	E21003306	Satinata Satin finish
		6,76 mm	NEW	33,7 mm	E11003307	E21003307	
		8 mm	—	33,7 mm	E11003308	E21003308	
	16	8,76 mm	NEW	33,7 mm	E11603309	E21603309	Satinata Satin finish
		9,52 mm	NEW	33,7 mm	E11603344	E21603344	
		10 mm	—	33,7 mm	E11603310	E21603310	
		10,76 mm	NEW	33,7 mm	E11603311	E21603311	

# • Tabella di conversione codici • Conversion Codes Table

Codice attuale Code in use	Modello Model	Spessore vetro Glass Thickness	Nuovo New	Per tubo For tube	AISI304	AISI316	Finitura Finishing
E00921	11	6 mm	NEW	42,4 mm	E11104206	E21104206	Satinata Satin finish
		6,76 mm	NEW	42,4 mm	E11104207	E21104207	
		8 mm	—	42,4 mm	E11104208	E21104208	
		8,76 mm	NEW	42,4 mm	E11104209	E21104209	
		9,52 mm	NEW	42,4 mm	E11104244	E21104244	
		10 mm	—	42,4 mm	E11104210	E21104210	
E00931	11	6 mm	NEW	Superficie Piana Flat Surface	E11100006	E21100006	Satinata Satin finish
		6,76 mm	NEW	Superficie Piana Flat Surface	E11100007	E21100007	
		8 mm	—	Superficie Piana Flat Surface	E11100008	E21100008	
		8,76 mm	NEW	Superficie Piana Flat Surface	E11100009	E21100009	
		9,52 mm	NEW	Superficie Piana Flat Surface	E11100044	E21100044	
		10 mm	—	Superficie Piana Flat Surface	E11100010	E21100010	
NEW	11	6 mm	NEW	48,3 mm	E11104806	E21104806	Satinata Satin finish
		6,76 mm	NEW	48,3 mm	E11104807	E21104807	
		8 mm	NEW	48,3 mm	E11104808	E21104808	
		8,76 mm	NEW	48,3 mm	E11104809	E21104809	
		9,52 mm	NEW	48,3 mm	E11104844	E21104844	
		10 mm	NEW	48,3 mm	E11104810	E21104810	
E009	12	6 mm	NEW	42,4 mm	E11204206	E21204206	Satinata Satin finish
		6,76 mm	NEW	42,4 mm	E11204207	E21204207	
		8 mm	—	42,4 mm	E11204208	E21204208	
		8,76 mm	NEW	42,4 mm	E11204209	E21204209	
		9,52 mm	NEW	42,4 mm	E11204244	E21204244	
		10 mm	—	42,4 mm	E11204210	E21204210	
E0090	12	6 mm	NEW	48,3 mm	E11204806	E21204806	Satinata Satin finish
		6,76 mm	NEW	48,3 mm	E11204807	E21204807	
		8 mm	—	48,3 mm	E11204808	E21204808	
		8,76 mm	NEW	48,3 mm	E11204809	E21204809	
		9,52 mm	NEW	48,3 mm	E11204844	E21204844	
		10 mm	—	48,3 mm	E11204810	E21204810	



Codice attuale Code in use	Modello Model	Spessore vetro Glass Thickness	Nuovo New	Per tubo For tube	AISI304	AISI316	Finitura Finishing
E0091	12	6 mm	NEW	Superficie Piana Flat Surface	E11200006	E21200006	Satinata Satin finish
		6,76 mm	NEW	Superficie Piana Flat Surface	E11200007	E21200007	
		8 mm	—	Superficie Piana Flat Surface	E11200008	E21200008	
		8,76 mm	NEW	Superficie Piana Flat Surface	E11200009	E21200009	
		9,52 mm	NEW	Superficie Piana Flat Surface	E11200044	E21200044	
		10 mm	—	Superficie Piana Flat Surface	E11200010	E21200010	
NEW	13	9,52 mm	NEW	Superficie Piana Flat Surface	E11300044	E21300044	Satinata Satin finish
		12 mm	NEW	Superficie Piana Flat Surface	E11300012	E21300012	
		12,76 mm	NEW	Superficie Piana Flat Surface	E11300013	E21300013	
		15 mm	NEW	Superficie Piana Flat Surface	E11300015	E21300015	
		16,76 mm	NEW	Superficie Piana Flat Surface	E11300017	E21300017	
		17,52 mm	NEW	Superficie Piana Flat Surface	E11300018	E21300018	
		9,52 mm	NEW	48,3 mm	E11304844	E21304844	
		12 mm	NEW	48,3 mm	E11304812	E21304812	
		12,76 mm	NEW	48,3 mm	E11304813	E21304813	
		15 mm	NEW	48,3 mm	E11304815	E21304815	
		16,76 mm	NEW	48,3 mm	E11304817	E21304817	
		17,52 mm	NEW	48,3 mm	E11304818	E21304818	
E00960	14	10,76 mm	NEW	42,4 mm	E11404211	E21404211	Satinata Satin finish
		12 mm	—	42,4 mm	E11404212	E21404212	
	16	10 mm	—	42,4 mm	E11604210	E21604210	
		10,76 mm	NEW	42,4 mm	E11604211	E21604211	
E00961	14	10,76 mm	NEW	48,3 mm	E11404811	E21404811	Satinata Satin finish
		12 mm	—	48,3 mm	E11404812	E21404812	
E00962	14	10,76 mm	NEW	Superficie Piana Flat Surface	E11400011	E21400011	Satinata Satin finish
		12 mm	—	Superficie Piana Flat Surface	E11400012	E21400012	
	16	10 mm	NEW	Superficie Piana Flat Surface	E11600010	E21600010	Satinata Satin finish
		10,76 mm	NEW	Superficie Piana Flat Surface	E11600011	E21600011	
E00971	14	12,76 mm	—	42,4 mm	E11404213	E21404213	Satinata Satin finish
E00972	14	12,76 mm	—	48,3 mm	E11404813	E21404813	Satinata Satin finish
E00973	14	12,76 mm	—	Superficie Piana Flat Surface	E11400013	E21400013	Satinata Satin finish

# Tabella di conversione codici • Conversion Codes Table

Codice attuale Code in use	Modello Model	Spessore vetro Glass Thickness	Nuovo New	Per tubo For tube	AISI304	AISI316	Finitura Finishing
E00983	15	10 mm	—	Superficie Piana Flat Surface	E11500010	E21500010	Satinata Satin finish
		10,76 mm	NEW	Superficie Piana Flat Surface	E11500011	E21500011	
		12 mm	—	Superficie Piana Flat Surface	E11500012	E21500012	
		12,76 mm	NEW	Superficie Piana Flat Surface	E11500013	E21500013	
E00981	15	10 mm	—	42,4 mm	E11504210	E21504210	Satinata Satin finish
		10,76 mm	NEW	42,4 mm	E11504211	E21504211	
		12 mm	—	42,4 mm	E11504212	E21504212	
		12,76 mm	NEW	42,4 mm	E11504213	E21504213	
E00982	15	10 mm	—	48,3 mm	E11504810	E21504810	Satinata Satin finish
		10,76 mm	NEW	48,3 mm	E11504811	E21504811	
		12 mm	NEW	48,3 mm	E11504812	E21504812	
		12,76 mm	NEW	48,3 mm	E11504813	E21504813	
NEW	15	8 mm	NEW	48,3 mm	E11504808	E21504808	Satinata Satin finish
		8,76 mm	NEW	48,3 mm	E11504809	E21504809	
		9,52 mm	NEW	48,3 mm	E11504844	E21504844	
E0092	15	8 mm	—	42,4 mm	E11504208	E21504208	Satinata Satin finish
		8,76 mm	NEW	42,4 mm	E11504209	E21504209	
		9,52 mm	NEW	42,4 mm	E11504244	E21504244	
		10 mm	—	42,4 mm	E11504210	E21504210	
E0093	15	8 mm	—	Superficie Piana Flat Surface	E11500008	E21500008	Satinata Satin finish
		8,76 mm	NEW	Superficie Piana Flat Surface	E11500009	E21500009	
		9,52 mm	NEW	Superficie Piana Flat Surface	E11500044	E21500044	
		10 mm	—	Superficie Piana Flat Surface	E11500010	E21500010	

## E 1 10 042 44

## NUOVO SISTEMA DI CODIFICA NEW CODING SYSTEM

Finitura Finishing	Materiale Material	Modello Model	Superficie di ancoraggio Anchor surface	Spessore vetro Glass Thickness	Spessore vetro Glass Thickness
<b>E</b> Satinato Satin Finish	<b>1</b> AISI 303 AISI 304	<b>10</b> 40 x 50 x 24 mm - 1 9/16" x 2" x 15/16" Tondo - Round	<b>000</b> Superficie piana Flat Surface	<b>06</b> 6 mm 1/4"	<b>44</b> 9,52 mm 3/8"
<b>X</b> Lucidato a specchio Mirror Polished	<b>2</b> AISI 316	<b>11</b> 45 x 45 x 28 mm - 1 3/4" x 1 3/4" x 1 3/32" Quadrato - Square	<b>033</b> Ø 33,7 mm 1 1/3"	<b>07</b> 6,76 mm 1/4"	<b>12</b> 12 mm 1/2"
<b>Z</b> zincato Galvanized	<b>3</b> Zamac/Alluminio Zamac/Aluminium	<b>12</b> 45 x 63 x 28 mm - 1 3/4" x 2 31/64" x 1 3/32"	<b>042</b> Ø 42,4 mm 1 2/3"	<b>08</b> 8 mm 5/16"	<b>13</b> 12,76 mm 1/2"
<b>J</b> Grezzo Raw	<b>4</b> Ferro Iron	<b>13</b> 70 x 44 x 40 mm - 2 3/4" x 1 3/4" x 1 9/16" Quadrato - Square fermo laterale - with security plate	<b>048</b> Ø 48,3 mm 1 7/8"	<b>09</b> 8,76 mm 11/32"	<b>15</b> 15 mm 19/32"
		<b>14</b> 45 x 63 x 30 mm - 1 3/4" x 2 31/64" x 1 3/16" Tondo - Round	<b>050</b> Ø 50,8 mm 2"	<b>10</b> 10 mm 3/8"	<b>17</b> 16,76 mm 5/8"
		<b>15</b> 55 x 55 x 35 mm - 2 11/64" x 2 11/64" x 1 9/16" Quadrato - Square fermo laterale - with security plate		<b>11</b> 10 mm 7/16"	<b>18</b> 17,52 mm 2/3"
		<b>16</b> 40 x 50 x 28 mm - 1 9/16" x 2" x 1 3/32" Tondo - Round			